



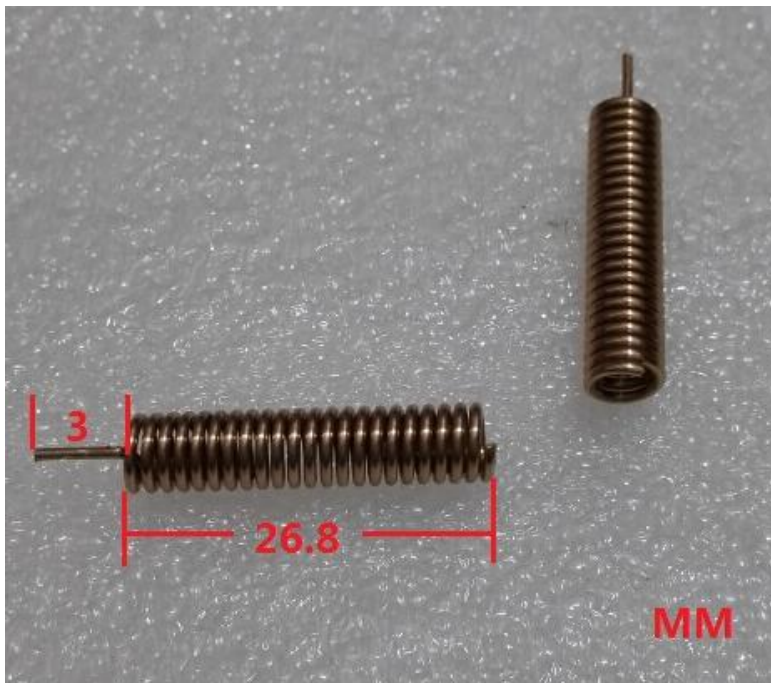
TOP ELECTRONIC INDUSTRY CO., LTD.

www.topecind.com www.top-elecomponents.com

433MHZ Internal Spring Antenna

TOP-433-Spring 1

Picture



TOP ELECTRONIC INDUSTRY CO.,LTD

Rm407 27th Bldg,Nanhua Zone,Huaqiang South,Futian Dist,SZ,GD,China

Tel:+86-755-8281 5110

Fax:+86-755-8281 5220

Web: www.topecind.com

www.top-elecomponents.com

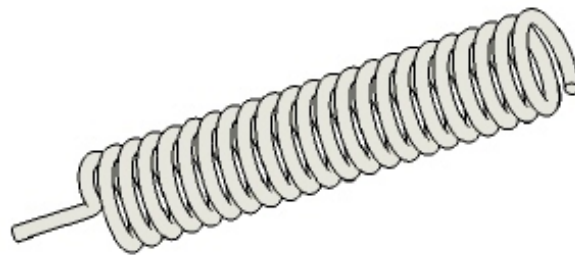
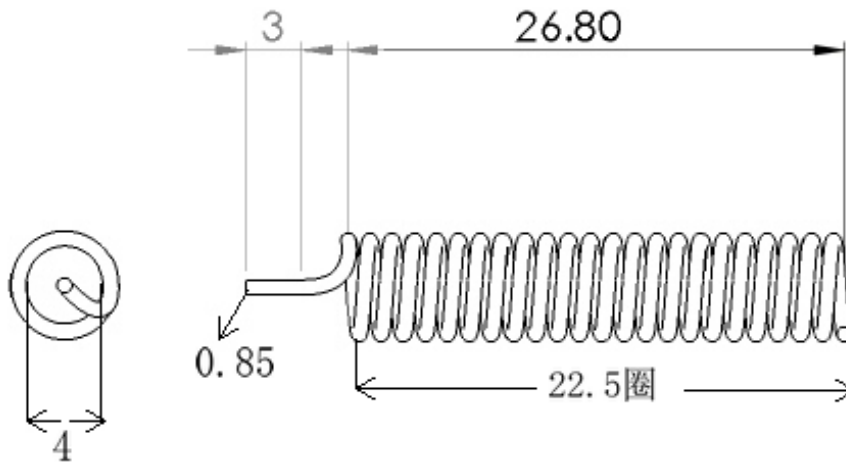


TOP ELECTRONIC INDUSTRY CO., LTD.

www.topecind.com

www.top-elecomponents.com

Drawing



单位：MM

SPECIFICATIONS

TOP ELECTRONIC INDUSTRY CO.,LTD

Rm407 27th Bldg,Nanhua Zone,Huaqiang South,Futian Dist,SZ,GD,China

Tel:+86-755-8281 5110

Fax:+86-755-8281 5220

Web: www.topecind.com

www.top-elecomponents.com



TOP ELECTRONIC INDUSTRY CO., LTD.

www.topecind.com

www.top-elecomponents.com

Item		Specifications
Antenna	Center Frequency	433 MHz
	Band Width	CF \pm 5MHz
	Polarization	Linear
	Impedance	50 Ω
	Gain	1 dBi
	V.S.W.R	<2.5
Mechanical	Material	Phosphor Copper
	Dimension	26.8* Φ 4.0 mm
	Mounting Method	Welding
Environmental	Vibration	10 to 55Hz with 1.5mm amplitude 2hours
	Environmentally Friendly	ROHS Compliant

TOP ELECTRONIC INDUSTRY CO.,LTD

Rm407 27th Bldg,Nanhua Zone,Huaqiang South,Futian Dist,SZ,GD,China

Tel:+86-755-8281 5110

Fax:+86-755-8281 5220

Web: www.topecind.com

www.top-elecomponents.com